



Envirodata Weather Alarms

Receive alerts to your mobile phone based on your weather conditions!

Users of Envirodata's new Weather Maestro or WeatherMate 3000 weather stations can now be alerted via an SMS to their mobile phone when important or critical weather conditions occur.

The alarms can also be sent direct from the "alarms" connection on the data logger, via an open collector output, ideal for automation and control situations.

Features:

- Up to 10 alarm conditions can be stored
- An alarm condition can be greater than, less than, outside or between a value (s)
- 2 independent open collector alarm outputs
- 4 independent SMS alarm outputs
- Up to 4 phone numbers per SMS alarm output
- Alarm conditions can be based on current sensor readings, or stored summary values
- Alarm conditions can be based on internally calculated values such as Dew Point, Evaporation, Sigma Theta, HLI, THI & AHLU
- Alarm outputs can be activated by any combination of 2 alarm conditions (logical AND or OR)



Details:

The alarm conditions can be based on an immediate response from a sensor current value (1 min avg).

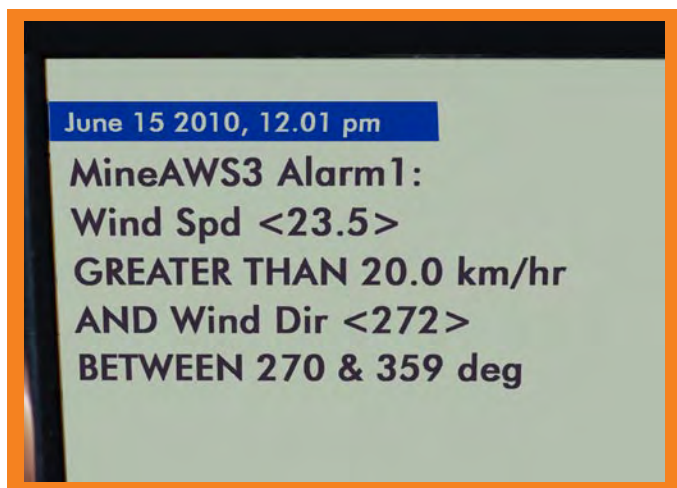
Alternatively, the alarm conditions can be based on the "storage command" stored summary values, providing a more filtered response.

The 10 alarm conditions can be combined using "AND" or "OR" in any combination.

Each cable alarm output provides an "earth" or "ground" via an open collector FET transistor.

The total number of SMS messages sent per day for the whole system can be limited, and the overall SMS function can also be activated or de-activated remotely by SMS.

Current readings can be retrieved from these NextG connected stations by sending an SMS. (This function is available without the alarm option.)



SPECIFICATIONS

Alarm Conditions

- Up to 10, activated by current reading or stored data.

Cable Alarm Output

- 2 outputs on single weatherproof connector
- Maximum External Voltage: 30V
- Maximum External Current: 50mA
- Built in Current Limit Protection
- +12 Volt supply;
 - Voltage Range: 12 -14V DC
 - Maximum Current: 100 mA

SMS Alarm Messages

- 4 Independent, with up to 4 pre-set mobile numbers notified per SMS alarm output.

Alarm Examples

Example 1:

SMS Alarm activated when air temperature drops below 2 degrees C. Typical SMS Output:

Warwick1 Alarm3: Air Temp 2m <1.9> LESS THAN 2.0 degC

Example 2:

SMS alarm activated when wind speed goes above 20 km/hr & the wind direction is between East and North (10 minute summary average values)

Typical SMS Output:

MineAWS3 Alarm5: Wind Spd <23.5> GREATER THAN 20.0 km/hr AND Wind Dir <272> BETWEEN 270 & 359 deg

Example 3:

These can also be combined with a cabled open collector output alarm such as:

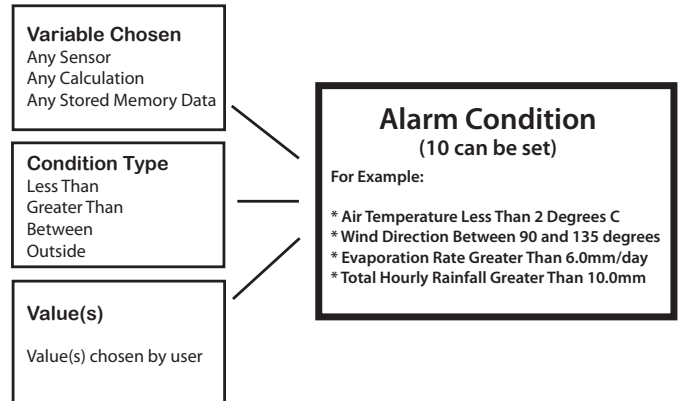
Alarm 1: When the Peak Wind Gust is greater than 50km/hr switch on Alarm 1 Contact. In this example the relay could activate a flashing light and siren.

Example 4:

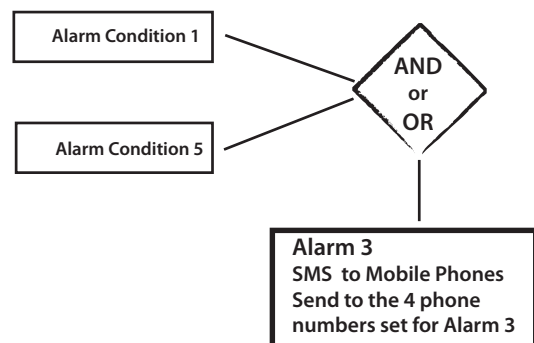
SMS Alarm set on total rainfall of 10.0 mm or greater in the previous hour. Typical SMS Output:

BridgeRG2 Alarm2: Rain Total <13.4> GREATER THAN 10.0mm

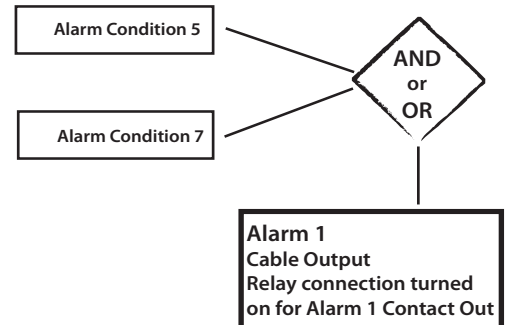
Alarm Condition Flow Chart:



Alarm Output Flow Chart (SMS):



Alarm Output Flow Chart (Cable):



Ordering Information:

- AO30 Alarm Output Firmware
- AN30 Next G SMS Alarms