



10 Metre Instrument Mast (IS 37 Series)

Features

- Standard 10 metre meteorological height
- Meets Australian & WMO Standards for sensor positioning
- Satisfies EPA requirements for sensor positioning
- Certified to 57m/s wind speed
- Easily Transported to remote sites
- Corrosion-proof aluminium construction
- Stainless Steel Pivots, Guy Wires, Turnbuckles and fittings
- Complete kit supplied
- 1 person installation & service access
- Easily transported (3.2 metre longest length)
- Double braked winch for raising & lowering

Applications

- Meso-scale meteorology
- Air pollution dispersion modelling
- Dust or odour drift measurement
- Meeting EPA licence conditions

Description

The IS37 ten metre mast is designed to be easily transported to site and installed without special equipment. Other masts require a crane or EWP, however the IS37 can be installed by one person from ground level, not even a ladder required.

The IS37 is engineered (certified) to withstand winds of 57m/s (over 200kph) when installed according to our directions.

Once installed the IS37 ten metre mast can be easily tilted down to inspect and/or change instruments. Only one of six guy wires must be released, then the tilt arm is lowered using the braked winch. This



can be carried out in light to moderate winds.

The stainless steel cable and winch prevent the mast from dropping while raising and lowering. In the upright position the mast can be padlocked into position to prevent unauthorised lowering.

The complete assembly weighs only 47 kilograms, and with the longest piece being only 3.2 metres, can be easily transported .

The mast can be installed in many soil types utilising duckbill anchors. In instances where the soil type is unknown, loose or sandy, concrete footings are recommended. A kit for your chosen footing type is included with the IS37 at no extra charge.

Envirodata Weather Stations Pty Ltd

P.O. Box 395, WARWICK, Queensland, 4370, Australia

Phone: (07) 4661 4699

Int. Phone: + 61 7 4661 4699

Fax: (07) 4661 2485

Int. Fax: +61 7 4661 2485

ABN: 77 131 757 125

Proudly Australian Owned

<http://www.envirodata.com.au>

e-mail: sales@envirodata.com.au

Version 110302



Stainless steel turnbuckles make tensioning the guy wires quick and easy. Set-up can be done in 2 hours with two people, or 4 hours for one person, once the guy footings have been prepared.

Specifications

Height:

- 10 metres to centre of wind cups

Static Load capacity:

- 4 Kg

Wind Load capacity:

- 57m/s

Construction materials:

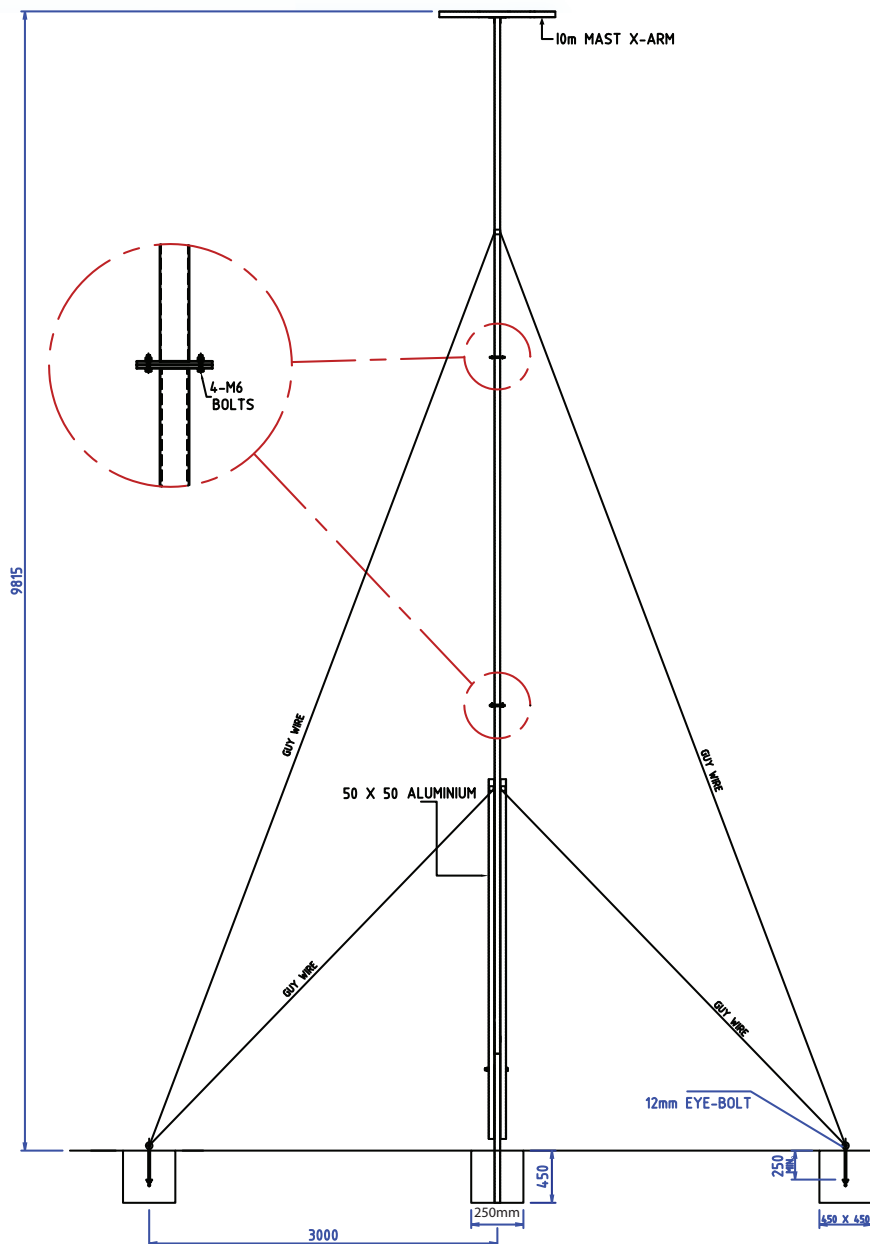
- Poles - Aluminium
- Bolts - Stainless steel
- Guys - Stainless steel

Sensor capacity:

- Envirodata wind speed, wind direction and solar radiation sensors are most common.
- UV & PAR radiation can be added.
- 10m Temperature - in a Cross arm mounted SS11 sensor screen.
- Mounting points are present for all these sensors
- 3rd party sensors are easy to adapt

Kit includes:

- All poles, bolts, guys, fittings and turnbuckles
- Cross-arm for sensor mounting at 10m
- Braked winch with brackets & cable
- Footing kit for concrete footings (Default). Duckbill anchors (Option DB37) on request.
- Stainless wire cutters, nut driver, leather gloves, full instruction manual



Ordering Information:

IS37 10m Mast complete

DB37 Duckbill anchor guy footing kit

Spares / Upgrades:

FT37 Concrete guy footing kit Upgrade

MW37 Winch Kit Upgrade

Envirodata Weather Stations Pty Ltd

P.O. Box 395, WARWICK, Queensland, 4370, Australia

Phone: (07) 4661 4699

Int. Phone: + 61 7 4661 4699

Fax: (07) 4661 2485

Int. Fax: +61 7 4661 2485

ABN: 77 131 757 125

Proudly Australian Owned

<http://www.envirodata.com.au>

e-mail: sales@envirodata.com.au

Version 110302

